



Application

The Ex pull-wire switch is used to give signals to start machines and to open or close electrically-driven doors, gates and barriers.

The particular requirements in industrial practice need individual solutions. The design details in relation to body dimensions, materials, electrical loading capacity, rated values and quality characteristics are to a great extent determined by the variety of application, from material handling to general and heavy engineering duties.

Design and mode of operation

The Ex pull-wire switch is available with snap action or slow action.

The Ex pull-wire switch is manually operated by pulling.

Features

- EEx 61 Z: 2 slow action contacts, type Zb
- EExM 61 Z: 1 snap action contact, type C
- Metal enclosure
- IP 65
- Available with watertight collar
- Pre-wired cable

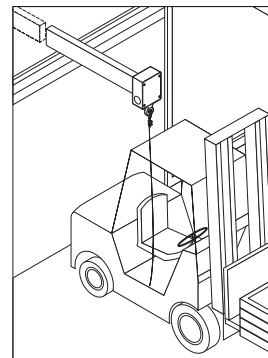
Cable length

- the Ex pull-wire switches are equipped with a 3 m long cable
- other lengths on enquiry

Note

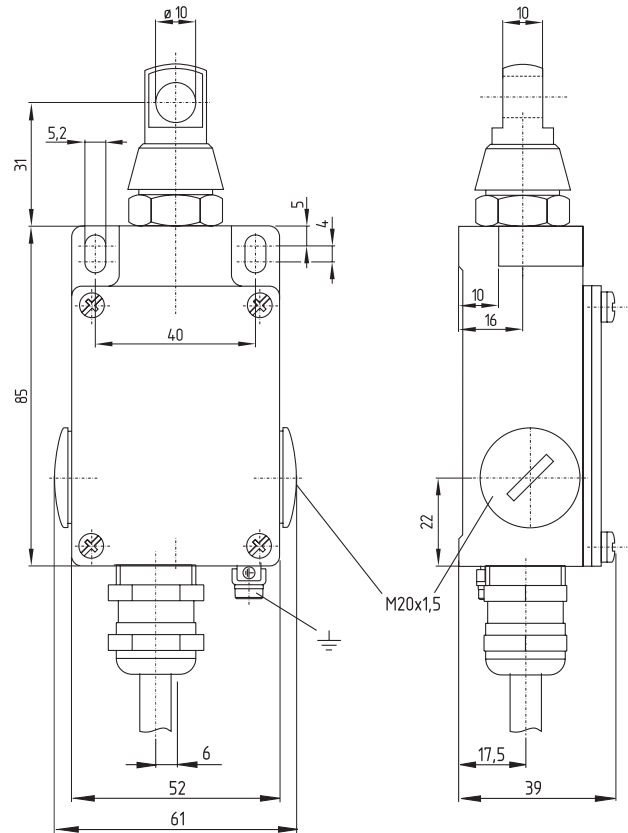
Technical data are shown in tabular form in chapter 4.3.

Application



4.
4.1

Ex switchgear
Pull-wire switches
EEx/EEExM 61 Z range



Features

- Metal enclosure
- Ex II 2G EEx d IIC T6
II 2D IP65 T80°C
- Slow action with double break
- Snap action with single break
- IP 65
- Pre-wired cable 3 m long

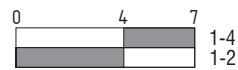
Info

- Available in various spring pressure (actuating force) variants

**Switch travel/
Contacts**

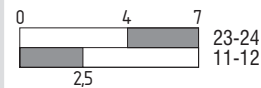


Snap action



EEExM 61 Z

Slow action



EEx 61 Z 1Ö/1S

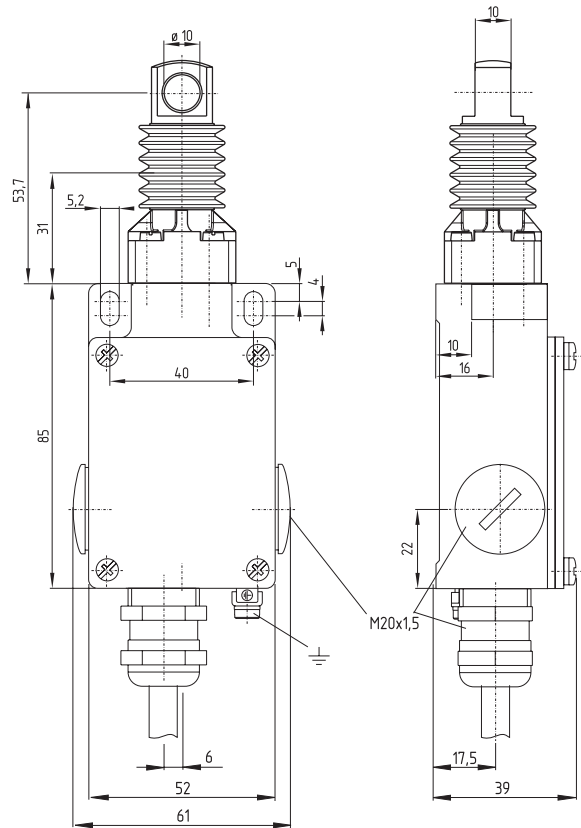
Approvals

EC Type test certificate:
EEx 61 Z: PTB 03 ATEX 1068 X*
EEExM 61 Z: PTB 03 ATEX 1067 X*

*referring to the switch insert

4. Ex switchgear
4.1 Pull-wire switches
EEEx/EEExM 61 Z range

With watertight collar



Features

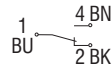
- Metal enclosure
- Ex II 2G EEEx d IIC T6
II 2D IP65 T80°C
- Slow action with double break
- Snap action with single break
- IP 65
- Pre-wired cable 3 m long

Info

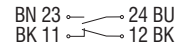
- Available in various spring pressure (actuating force) variants

**Switch travel/
Contacts**

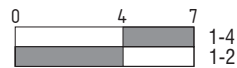
Change-over contact



**1 NO
1 NC**

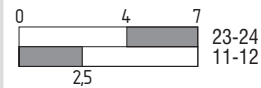


Snap action



EEExM 61 WZ

Slow action



EEEx 61 WZ 1Ö/1S

Approvals

EC Type test certificate:
 EEEx 61 Z: PTB 03 ATEX 1068 X*
 EEExM 61 Z: PTB 03 ATEX 1067 X*

*referring to the switch insert

4.
4.2

Ex switchgear
Pull-wire switches
Accessories



Wire rope with ball

- Yellow wire rope (polypropylene)
- With ball and Duplex wire clamp
- 1, 2, 3, or 4 m long
- Ordering unit: 1 piece



4.
4.3

Ex switchgear
Pull-wire switches
Technical data



	EEx 61 Z	EExM 61 Z
Standards:	IEC/EN 60947-5-1; EN 50014; EN 50018; EN 50281-1-1	
Ex marking:	Ⓔ II 2G EEx d IIC T6 II 2D IP65 T80°C	
Certification:	PTB 03 ATEX 1068 X*	PTB 03 ATEX 1067 X*
Switch insert:	EEx 13	EEx 12
Enclosure material:	Aluminium die-cast, enamel finish	
Cover material:	Steel, enamel finish	
Protection class:	IP 65 to IEC/EN 60529	
Contact material:	Silver	
Contact type:	Change-over contact, double break, with 2 separate contact bridges	Change-over contact, single break
Switching system:	Slow action	Snap action
Termination:	Cable H05VV-F 4 x 0.75 mm ²	
Rated impulse withstand voltage U_{imp} :	4 kV	
Rated insulation voltage U_i :	250 V	
Thermal test current I_{the} :	6 A	5 A
Rated operating current/voltage I_e/U_e :	6 A/250 VAC; 0.25 A/230 VDC	5 A/250 VAC; 0.16 A/230 VDC
Utilisation category:	AC-15; DC-13	
Max. fuse rating:	6 A gL/gG D-fuse	5 A
Ambient temperature:	-20 °C ... +65 °C	
Mechanical life:	> 1 million operations	
Switching frequency:	1800/h	



* referring to the switch insert

4. Ex switchgear
4.3 Pull-wire switches
Technical data

