

## Command devices

Thermoplastic enclosure  
// Series ES 14  
from page 186





# Command devices

## Range of application

Command devices are mounted in switchboards, control panels, two-hand control panels and in the lift industry. On manual actuation, the devices start or terminate operating sequences and functional processes.

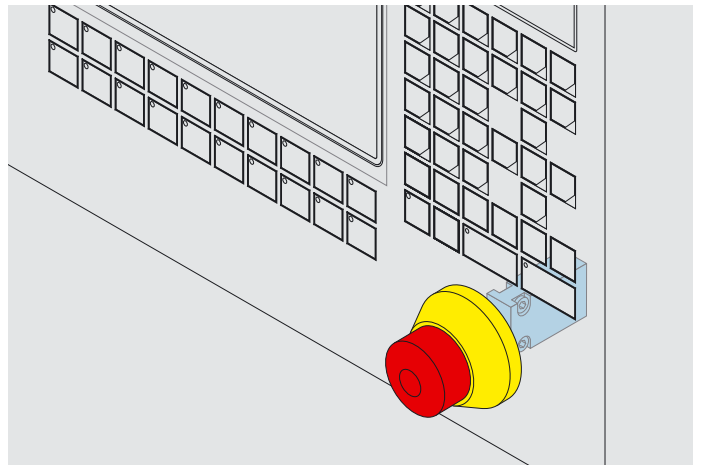
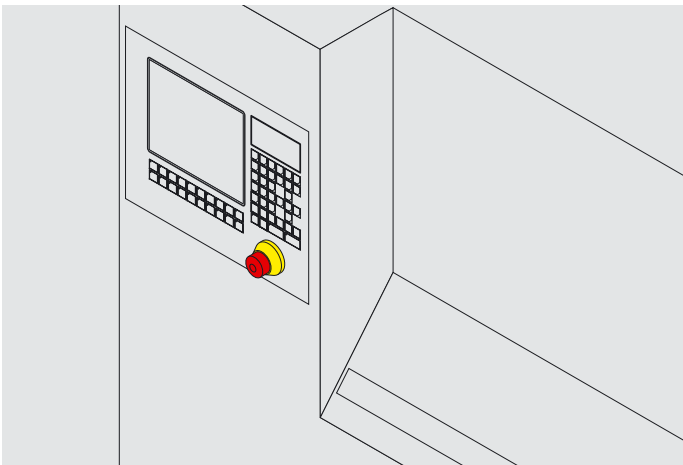
There are versions as push buttons, semi-rotary, key-operated and emergency stop switches. The emergency stop devices are wired in the safety circuit of machinery or plants. They fulfil the requirements of EN 60204-1.

## Design and operating principle

The command devices are fit for  $\varnothing 22.5$  mm mounting holes and suitable for spacings of 30 mm between centres. All command devices provide protection class IP 65/67 and are double insulated for class II.

The actuator is connected to the ES14 switch by a bayonet fastener. Available switching elements with slow action are: emergency stop switches, push-buttons with and without diaphragm, selectors, control switches and key-operated switches.

## Application



# Command devices

## // Series ES 14

### Features/Options

- Thermoplastic enclosure
- Double insulated  $\square$
- Slow action  $\ominus$ , change-over contact or 2 NC contacts with double break
- Overlapping contacts available
- Mounting hole diameter 22.5 mm
- Mounting details to DIN EN 50 047
- With pre-wired cable, cable length 1 meter
- Ex-version available

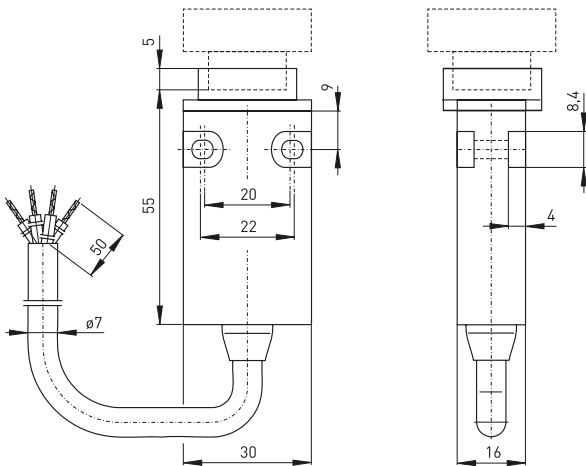
// ES 14



### Technical data

Standards	IEC/EN 60947-5-1
Enclosure	glass-fibre reinforced, shock-proof thermoplastic, self-extinguishing UL 94-V0
Protection class	IP 65/67 to EN 60529
Contact material	silver
Switching system	slow action, positive break NC contacts $\ominus$
Switching elements	change-over contact with double break, galvanically separated contact bridges
Termination	cable H05VV-F
Cable section	4 x 0.75 mm <sup>2</sup>
U <sub>imp</sub>	4 kV
U <sub>i</sub>	250 V
I <sub>the</sub>	6 A
I <sub>e</sub> /U <sub>e</sub>	6 A/250 VAC; 0,25 A/230 VDC
Utilisation category	AC-15, DC-13
Max. fuse rating	6 A gL/gG D-fuse
Ambient temperature	-20 °C ... +75 °C
Mechanical life	> 1 million operations
Switching frequency	1800/h
Contact opening	2 x 4 mm

186



### Ordering details

ES 14 RUV 1Ö/1S-s-1m

- █ Cable length 1 m, (2 m, 5 m, 10 m)
- █ Cable on side
- █ Contact type 1NC/1NO (2Ö)
- █ Actuator RUV (RT, RSSA, RW, etc. ...)
- █ Series
- █ S Slow action

# Command devices

## // Series ES 14, actuators

### Features/Options

- Slow action with 2 NC contacts available
- With gold-plated contacts available on request

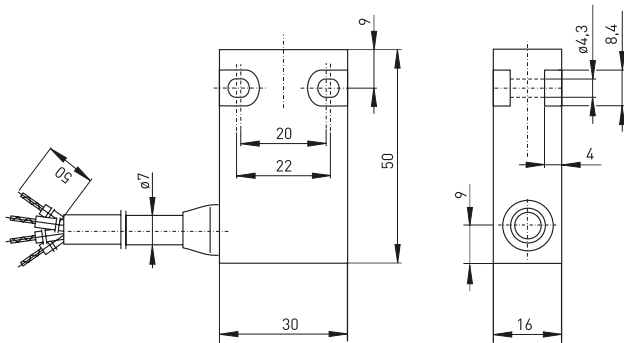
### Features/Options

- With pre-wired cable, cable length 1 meter
- Protection class IP 65

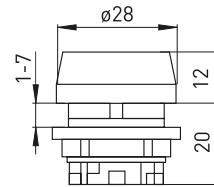
### // Connector M12 x 1, 4-pole



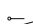
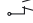
### // Cable on side

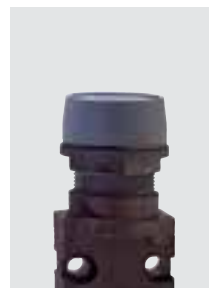


### // Push button RT



Contact variants: switch travel/contacts

	Slow action
1 NC / 1 NO contact	ES 14 RT
	BK  BK
	BU  BN



# Command devices

## // Series ES 14, actuators

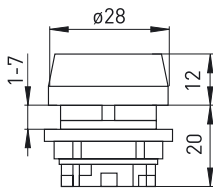
### Features/Options

- Diaphragm of transparent silicon material
- IP 67 for actuators with diaphragm
- With pre-wired cable, cable length 1 meter

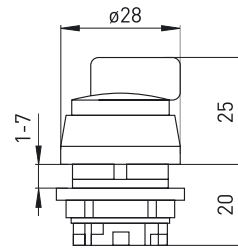
### Features/Options

- Selector with rest positions
- Available in 3 different versions
- Protection class IP 65
- With pre-wired cable, cable length 1 meter

## // Push button with diaphragm RTM



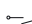
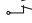
## // Selector RW

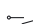
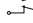





188

### Contact variants: switch travel/contacts

### Contact variants: switch travel/contacts

	Slow action
1 NC / 1 NO contact	<b>ES 14 RTM</b> BK  BK BU  BN

	Slow action
1 NC / 1 NO contact	<b>ES 14 RW ...</b> BK  BK BU  BN
2 switching positions Switching angle 90° 0 - I oder I - II	<b>ES 14 RWA 0 - I</b> <b>ES 14 RWA I - II</b> 
3 switching positions Switching angle 45° + 45° I - 0 - II	<b>ES 14 RWB I - 0 - II</b> 
Control switch actuated selector Left-hand side switching, right-hand side stroke Switching angle 45° + 45° I - 0 ← II	<b>ES 14 RWC I - 0 ← II</b> 



**Features/Options**

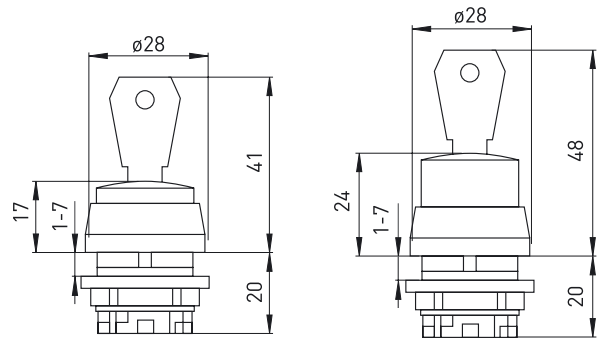
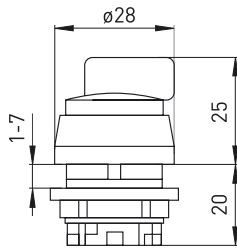
- RST with spring return
- Available in 2 different versions
- Protection class IP 65
- With pre-wired cable, cable length 1 meter

**Features/Options**

- RSSA key switch with safety cylinder lock (locks against turning)
- Normal version always has same key number
- Available in 9 different versions
- Up to 20 lock combinations available on request
- Protection class IP 65
- With pre-wired cable, cable length 1 meter

**// Control switch RST**

**// Key switch RSSA**



**Contact variants: switch travel/contacts**

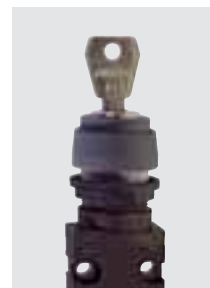
**Contact variants: switch travel/contacts**

	Slow action
1 NC / 1 NO contact	ES 14 RST ... 
Switching angle 90° with return to left position, 0 ← I	ES 14 RSTA 0 ← I 
Switching angle 45° + 45° with return to central position I → 0 ← II	ES 14 RSTB I → 0 ← II 

	Slow action	
1 NC / 1 NO contact	ES 14 RSSA ... 	
Key switch	ES 14 RSSA 12 	ES 14 RSSA 13 
	ES 14 RSSA 14 	ES 14 RSSA 15 
	ES 14 RSSA 17 	ES 14 RSSA 18 
	ES 14 RSSA 23 	ES 14 RSSA 24 
	ES 14 RSSA 27 	

**Legend**

- I Switching position
- Spring return
- o Position for key removal



# Command devices

## // Series ES 14, actuators

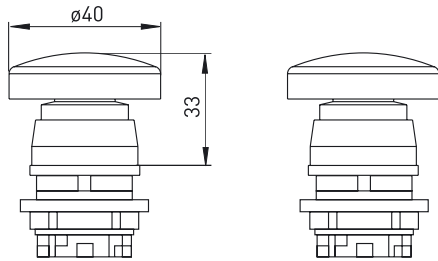
### Features/Options

- Thermoplastic actuator
- Protection class IP 65
- With pre-wired cable, cable length 1 meter

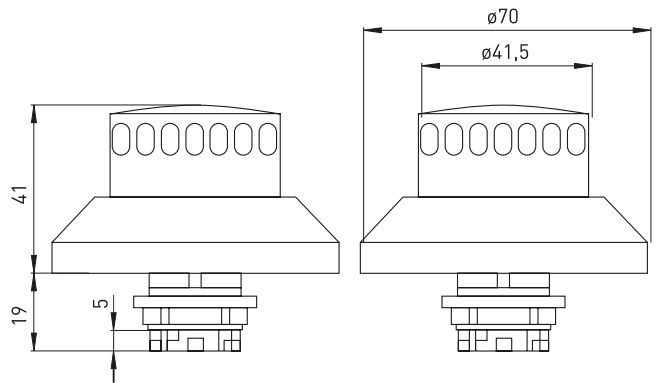
### Features/Options

- Thermoplastic actuator
- To EN 418
- 1 NC contact and 1 NO contact, double break, type Zb
- Projection from front of panel 41 mm
- With collar to prevent blocking
- Reset by turning clockwise
- With pressure-point to protect against unintentional actuation
- Protection class IP 65
- With pre-wired cable, cable length 1 meter

## // Push button RS SW



## // Emergency stop push button RUV



190

### Contact variants: switch travel/contacts

### Contact variants: switch travel/contacts

	Slow action
1 NC / 1 NO contact	<b>ES 14 RS SW</b> BK — BK BU — BN

	Slow action
1 NC / 1 NO contact	<b>ES 14 RUV</b> BK — BK BU — BN

