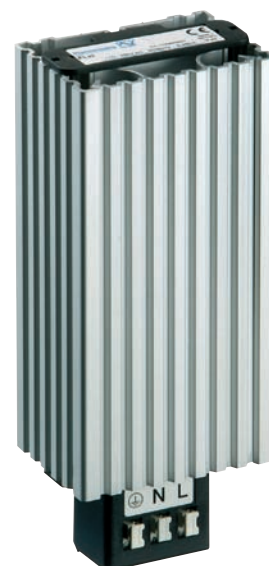


Radiant Heaters

FLH 010 – FLH 150



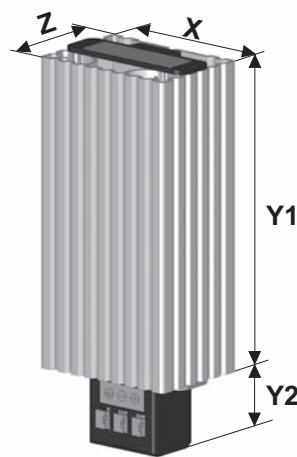
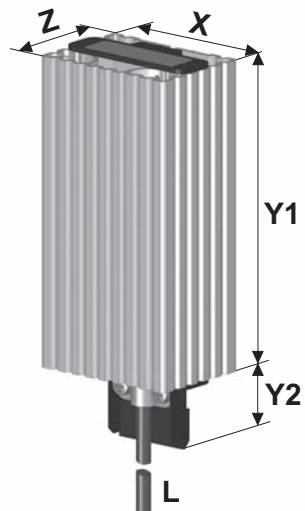
FLH radiant heaters are used in combination with a thermostat or hygrostat, predominantly for the avoidance of excessively low temperatures or excessively high humidity in the control cabinet. Different performance ratings from 10 to 150 Watts ensure that the correct heating power is always available. The total required heat can be distributed in a control cabinet according to needs. Available with either terminal or connecting cable.

Data	FLH 010	FLH 015	FLH 030	FLH 045	Unit	
Article number	with terminal	17001005007	17001505007	17003005007	17004505007	
	with connecting cable	17001005017	17001505017	17003005017	17004505017	
Heating performance (Ta = +20 °C)	10	15	30	45	W	
Max. surface temperature	55	65	90	105	°C	
Power consumption	10	15	30	45	W	
Starting current	1.0	1.1	1.2	1.8	A	
System of protection for intended purpose of use	IP 44 (connecting cable) and IP 20 (plug terminal connector)					
Weight	250	250	250	250	g	
Data	FLH 060	FLH 075	FLH 100	FLH 150	Unit	
Article number	with terminal	17006005007	17007505007	17010005007	17015005007	
	with connecting cable	17006005017	17007505017	17010005017	17015005017	
Heating performance (Ta = +20 °C)	60	75	100	150	W	
Max. surface temperature	105	120	130	150	°C	
Power consumption	60	75	100	150	W	
Starting current	2.5	4.5	5.0	7.5	A	
System of protection for intended purpose of use	IP 44 (connecting cable) and IP 20 (plug terminal connector)					
Weight	450	510	510	770	g	
Rated voltage ¹	230 V AC 50 / 60 Hz					
Functional range	110 - 250 V AC 50 / 60 Hz					
Duty cycle	100%					
Operating temperature range	- 40 ... + 70 (- 40 ... + 158)				°C	
Storage temperature range	- 40 ... + 70 (- 40 ... + 158)					
Installation orientation	as desired, preferably vertical					
Device construction	aluminium profile, brightly anodised					
Type of mounting	snap fastening for 35 mm profile bars according to EN 60715					
Protection class	I					
Type of connection	connecting cable (500 mm) or plug terminal connector					
Clamping range of connecting terminal	single wire: 2 x 0.5 - 2.5 mm ² , fine-stranded: (tinned, with ferrule, with pin cable lug) 2 x 0.5 - 1.5 mm ²					
Accessories	Piece	Article number		Information on page		
Thermostat	1	17111000000		188/190		
Hygrostat	1	17207000000		192		
Internal enclosure fan	1	18110000000		71		

¹ other voltages available on request
Approvals see page 175

Dimensions

mm	FLH 010 ... 045	FLH 060 ... 100	FLH 150
X	70	70	70
Y1	65	140	215
Y2	35	35	35
Z	50	50	50
L	500	500	500



Surface temperature-limited Radiant Heaters

FLH-LST 020 – FLH-LST 050



The FLH series of radiant heaters with limitation of the radiator surface temperature consists of three versions with heating performance ratings of 20, 30 and 50 Watts. Typical applications are to be found within building installations, where accidental contact with radiant heaters inside control cabinets is possible, where safety regulations prohibit open sources of heat, or where neighbouring structural elements are negatively influenced by the increased development of heat.

Data	FLH-LST 020	FLH-LST 030	FLH-LST 050	Unit	
Article number	with terminal	17002105007	17003105007	17005105007	
	with connecting cable	17002105017	17003105017	17005105017	
Heating performance (Ta = +20 °C)	20	30	50	W	
Max. surface temperature	55 ¹			°C	
Power consumption	20	30	50	W	
Starting current	1.1	1.2	2.3	A	
System of protection for intended purpose of use	IP 44 (connecting cable) and IP 20 (plug terminal connector)				
Weight	320	450	770	g	
Rated voltage	230 V AC 50 / 60 Hz				
Functional range	110 - 250 V AC 50 / 60 Hz				
Duty cycle	100%				
Operating temperature range	- 40 ... + 70 (- 40 ... + 158)			°C (°F)	
Storage temperature range	- 40 ... + 70 (- 40 ... + 158)				
Installation orientation	as desired, preferably vertical				
Device construction	aluminium profile, brightly anodised				
Type of mounting	snap fastening for 35 mm profile bars according to EN 60715				
Protection class	I				
Type of connection	connecting cable (500 mm) or plug terminal connector				
Clamping range of connecting terminal	single wire: 2 x 0.5 - 2.5 mm ² , fine-stranded: (tinned, with ferrule, with pin cable lug) 2 x 0.5 - 1.5 mm ²				
Accessories	Piece	Article number		Information on page	
Thermostat	1	17111000000		188/190	
Hygrostat	1	17207000000		192	
Internal enclosure fan	1	18110000000		71	

¹ surface temperature by a max. internal enclosure temperature of + 35 °C
Approvals see page 175

Dimensions

mm	FLH-LST 020	FLH-LST 030	FLH-LST 050
X	70	70	70
Y1	95	140	215
Y2	37	37	37
Z	50	50	50
L	500	500	500

